

FSF020.50

Lavoce

2" FULLRANGE

FERRITE MAGNET
STEEL BASKET DRIVER



- 0.5 INCH COPPER VOICE COIL
- 84,5 dB/SPL SENSITIVITY
- 20 WATT PROGRAM POWER HANDLING
- FEM OPTIMIZED MOTOR AND SUSPENSIONS
- VERY LIGHT MEMBRANE, FOR EXTENDED FREQUENCY RESPONSE

GENERAL SPECIFICATIONS

Nominal diameter	mm (in.)	50 (2)
Nominal impedance	Ω	8
Minimum impedance	Ω	7,8
Program power (1)	W	20
AES Power rating (2)	W	10
Sensitivity (3)	dB	84,5
Frequency range	Hz	200 ÷ 20000
Voice coil diameter	mm (in.)	14 (0.5)
Chassis material	Steel	
Magnet material	Ferrite	
Magnet dimensions OD x ID x h	mm (in.)	45 x 18 x 10 (1.77 x 0.71 x 0.39)
Coil material	Copper	
Former material	Polyimide	
Cone material	Water Proof Treated Paper	
Surround material	Polycotton	
Xmax (4)	mm (in.)	1 (0.04)
Xmech (5)	mm (in.)	0,8 (0.03)
Gap height	mm (in.)	3 (0.12)
Voice coil winding height	mm (in.)	2,6 (0.1)
Driver displacement volume	l (ft ³)	0,036 (0.001)

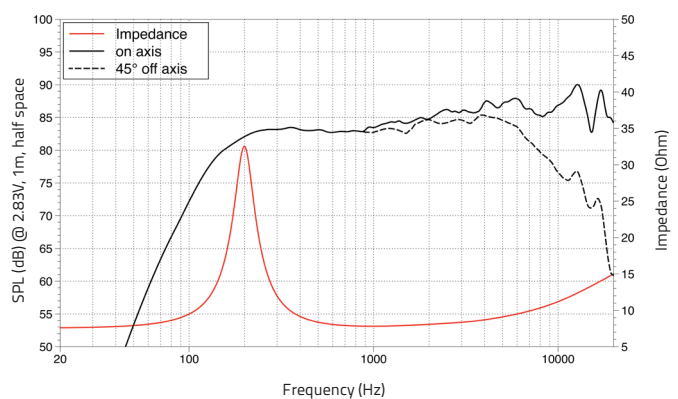
SMALL SIGNAL PARAMETERS

DC resistance	Re	Ohm	7,5
Resonance frequency	Fs	Hz	200
Moving mass	Mms	g (oz)	0,65 (0.02)
Compliance	Cms	mm/N	1,00
Force factor	BxL	N/A	2,3
Mechanical Q-factor	Qms		3,80
Electrical Q-factor	Qes		1,15
Total Q-factor	Qts		0,89
Equivalent air volume	Vas	l (ft ³)	0,25 (0.01)
Voice coil Inductance	Le	mH	0,10
Diaphragm area	Sd	cm ² (in. ²)	13 (2.03)
Reference efficiency	Eta 0	%	0,16

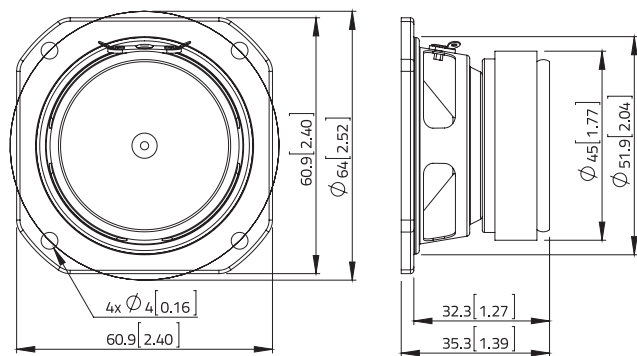
SHIPPING INFORMATION

Net weight	kg (lb.)	0,16 (0.35)
Multipack size (45)	mm (in.)	334 x 228 x 179 (13.1 x 8.9 x 7.0)
Multipack weight	kg (lb.)	8,5 (18.74)

FREQUENCY RESPONSE



DIMENSIONS mm (in.)



(1) Program power is defined as 3 dB greater than AES Power. (2) Tested for two hours using a continuous, band-limited pink noise signal as per AES 2-1984 Rev. 2003. Loudspeaker tested in free air. (3) From T/S parameters, measured with Klippel DA LPM module. (4) The Xmax is calculated as: $(Hvc - Hg)/2 + Hg/4$. Hvc is the voice coil height and Hg the gap height. (5) The Xmech is calculated as: $(Hvc - Hg)/2 + (Hg - 2)$. Hvc is the voice coil height and Hg the gap height. (6) Thiele-Small parameters are measured after preconditioning: a) at 20°C - 22°C, 50% humidity for 2 hours; b) by Klippel LSI measurement.

All specifications subject to change without notice_A.b

WWW.LAVOCESPEAKERS.COM



Lavoce Italiana

sales@lavocespeakers.com sales.cn@lavocespeakers.com